

GrillBoss®

⚠ WARNING

- ⚠ **For Outdoor Use Only** (outside any enclosure).
- ⚠ This grill is for outdoor use only, and should not be used in a building, garage or any other enclosed area.
- ⚠ Do NOT operate, light or use this appliance within ten feet (3.05 m) of walls, structures or buildings.
- ⚠ This grill is NOT intended for and should never be used as a heater. TOXIC fumes can accumulate and cause asphyxiation.
- ⚠ Do NOT use grill for indoor cooking. TOXIC carbon monoxide fumes can accumulate and cause asphyxiation.
- ⚠ Do NOT use gasoline, kerosene or alcohol for lighting.
- ⚠ Never touch grates, ashes or coals to see if they are hot.
- ⚠ Do NOT use on wooden decks, wooden furniture or other combustible surfaces.
- ⚠ Do NOT use in or on boats or recreational vehicles.
- ⚠ Position grill so wind cannot carry ashes to combustible surfaces.
- ⚠ Do NOT use in high winds.
- ⚠ Do NOT leave a lit grill unattended, and especially keep children and pets away from grill at all times.
- ⚠ Do NOT attempt to move grill when in use. Allow the grill to cool before moving or storing.
- ⚠ Always place your grill on a hard, non-combustible, level surface. An asphalt or blacktop surface may not be acceptable for this purpose.
- ⚠ Do NOT remove the ashes until they are completely and fully extinguished.
- ⚠ Live hot briquettes and coals can create a fire hazard.
- ⚠ Never use charcoal that has been pre-treated with lighter fluid. Use only a high grade plain charcoal, charcoal/wood mixture, lump charcoal or cooking wood.
- ⚠ Death, serious injury or damage to property may occur if the above is not followed exactly.

Lighting Instructions

- ⚠ **CAUTION:** When using a liquid starter, always check bottom bowl before lighting. Fluid can collect in the bottom bowl and could ignite, resulting in a fire.
 - ⚠ **CAUTION:** Never add lighting fluid to hot or warm coals as flashback may occur, causing serious injury or damage to property.
 - ⚠ **CAUTION:** Do not cook before the fuel has a coating of ash.
 - ⚠ **CAUTION:** Preheat the barbecue for at least 30 minutes before first use.
1. Open lid and vents.
 2. Make sure bottom bowl is empty.
 3. Remove cooking grid.
 4. Arrange charcoal briquettes on the bottom bowl.
- ⚠ **WARNING:** Maximum weight of charcoal to be used: total 2 kgs.
5. Light per instructions on fuel package.
 6. Allow fuel time to ash into glowing coals before cooking.

Turning Off

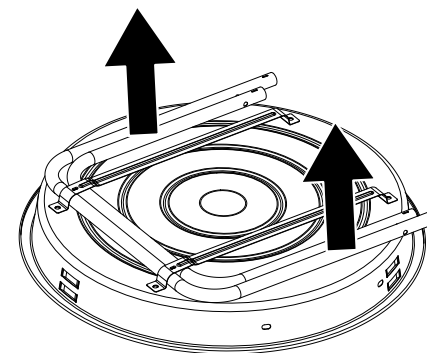
1. Allow charcoal to completely extinguish itself.
- ⚠ **WARNING:** Do NOT use water to extinguish. This can be dangerous and cause damage.
2. Dispose of the ashes in a proper location.

Hardware

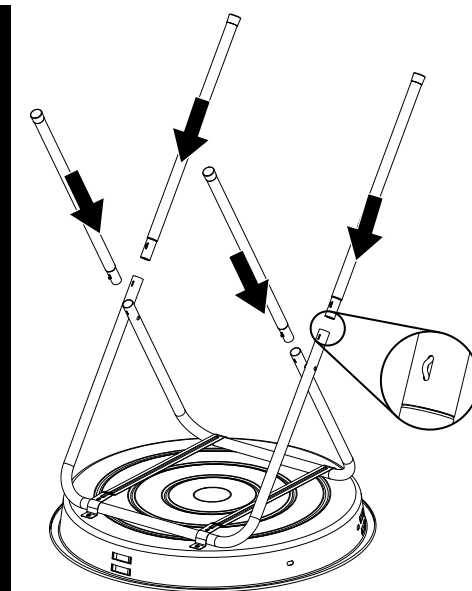
| | | | |
|---|----------|--|-------|
| A | Screw | M5x10 Nickel Plated PhillipsTruss Head | 4 pcs |
| B | Wing Nut | M5 Steel | 4 pcs |

Assembly Instructions

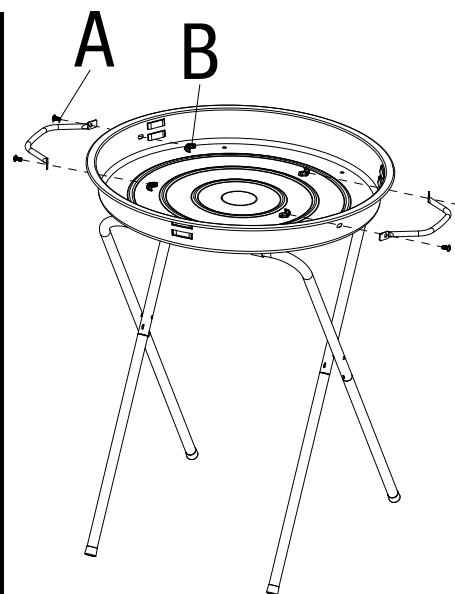
1



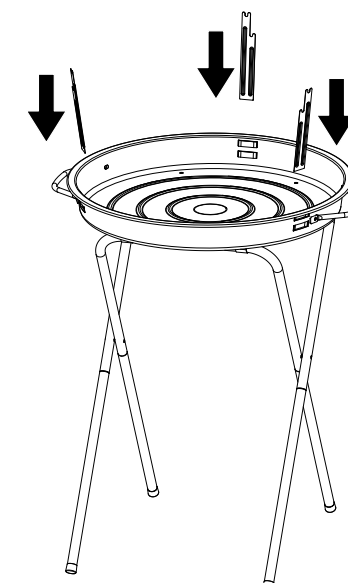
2



3



4



5

