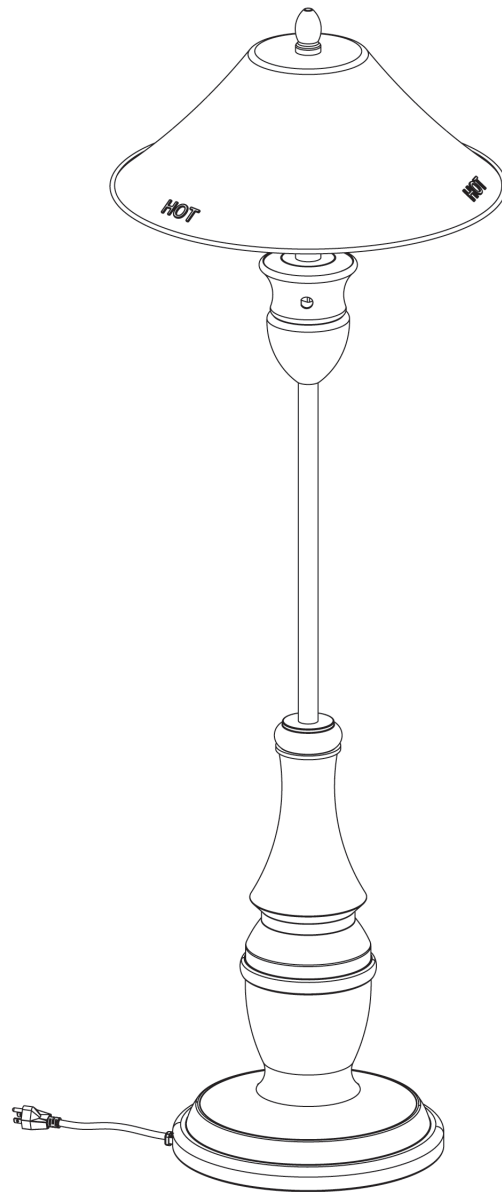


## Outdoor Electric Heater

Model No. EWUR730B



**WARNING**  
FOR YOUR SAFETY:  
For Outdoor Use Only (outside any enclosure)  
Do NOT Use For Cooking.

**WARNING**  
FOR YOUR SAFETY:

- ⚠ Improper installation, adjustment, alteration, service or maintenance can cause injury or property damage.
- ⚠ Read the installation, operation and maintenance instructions thoroughly before installing or servicing this equipment.
- ⚠ Failure to follow these instructions could result in fire or explosion, which could cause property damage, personal injury or death.
- ⚠ This instruction manual contains important information necessary for the proper assembly and safe use of the appliance.
- ⚠ Read and follow all warnings and instructions before assembling and using the appliance.
- ⚠ Follow all warnings and instructions when using the heater.
- ⚠ Keep this manual for future reference.

**WARNING**  
FOR YOUR SAFETY:  
Do NOT store or use gasoline or other flammable vapors or liquids in the vicinity of this or any other appliance.

**DANGER**  
NEVER leave this appliance unattended while it is in operation.

**DANGER**  
Do NOT use electric heater for indoor cooking. NOT to be used in or on boats or recreational vehicles.

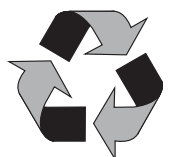
### Table of Contents

Safeguards, Dangers and Cautions . . . . .	Page 2
Expanded View and Hardware . . . . .	4
Assembly Instructions . . . . .	5
Operating Instructions . . . . .	6
Cleaning and Care . . . . .	6
Storage . . . . .	6
Product Registration . . . . .	7
Replacement Parts . . . . .	7
Limited Warranty . . . . .	7
Specifications . . . . .	7
Troubleshooting . . . . .	7

If you are assembling this unit for someone else, give this manual to them to read and save for future reference.

California Proposition 65: Wash your hands after handling this product.

California Proposition 65: Handling the brass material on this product exposes you to lead, a chemical known to the State of California to cause cancer, birth defects, or other reproductive harm.



Made from 75% Bagasse  
(environmentally friendly sugar  
cane pulp by-product)

## Safeguards, Dangers and Cautions

### IMPORTANT SAFEGUARDS

When using electrical appliances, basic safety precautions should always be followed including the following:

1. Read all instructions before using this heater.
2. This heater is hot when in use. To avoid burns, do not let bare skin touch hot surfaces. If provided, use handles when moving this heater. Keep combustible materials, such as furniture, pillows, bedding, papers, clothes, and curtains at least a 3 feet (0.9 m) from the front of the heater and keep them away from the sides and rear.
3. Extreme caution is necessary when any heater is used by or near children or invalids and whenever the heater is left operating and unattended.
4. Always unplug heater when not in use.
5. Do NOT operate any heater with a damaged cord or plug or after the heater malfunctions, has been dropped or damaged in any manner. Return heater to authorized service facility for examination, electrical or mechanical adjustment, or repair.
6. This heater is not intended for use in bathrooms, laundry areas and similar indoor locations. Never locate heater where it may fall into a bathtub or other water container.
7. Do NOT run cord under carpeting. Do NOT cover cord with throw rugs, runners, or similar coverings. Arrange cord away from traffic area and where it will not be tripped over.
8. To disconnect heater, turn controls to off, then remove plug from outlet.
9. Connect to properly grounded outlets only.
10. Do NOT insert or allow foreign objects to enter any ventilation or exhaust opening as this may cause an electric shock or fire, or damage the heater.
11. To prevent a possible fire, do not block air intakes or exhaust in any manner. Do NOT use on soft surfaces, like a bed, where openings may become blocked.
12. A heater has hot and arcing or sparking parts inside. Do not use it in areas where gasoline, paint, or flammable liquids are used or stored.
13. Use this heater only as described in this manual. Any other use not recommended by the manufacturer may cause fire, electric shock, or injury to persons.
14. Always plug heaters directly into a wall outlet/receptacle. Never use with an extension cord or relocatable power tap (outlet/power strip)
15. **SAVE THESE INSTRUCTIONS.**

### Safety First

#### DANGERS and *Cautions*

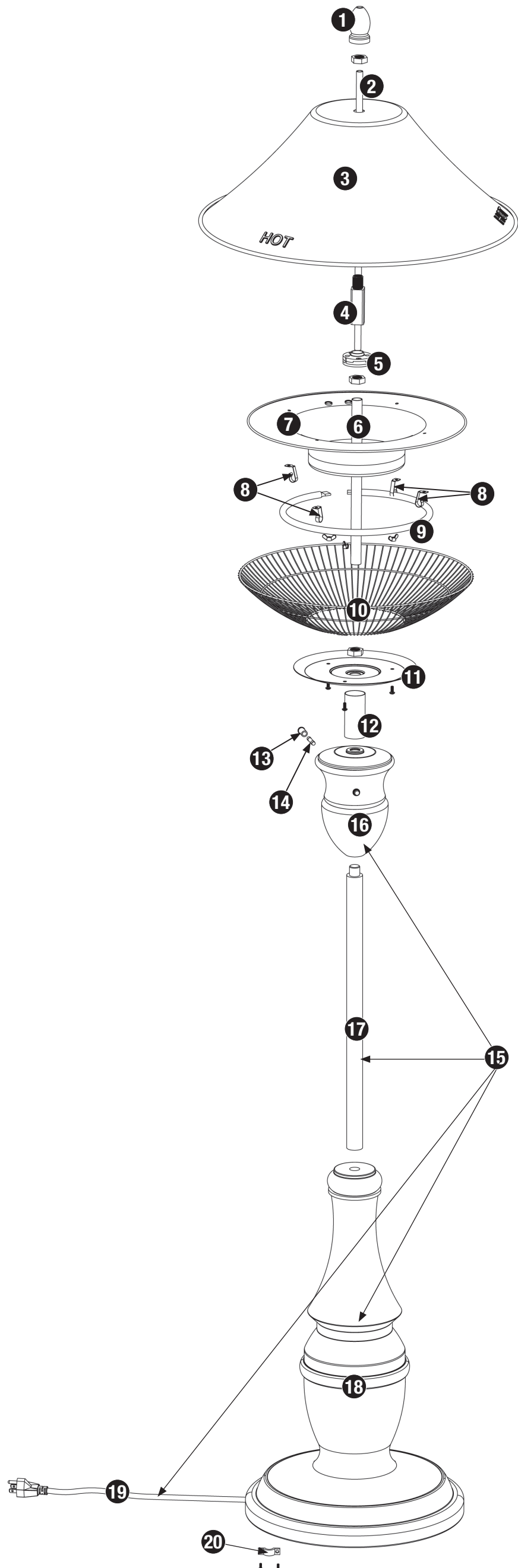
- ▲ **DANGER:** Failure to follow the dangers, warnings and cautions in this manual may result in serious bodily injury or death, or in a fire or an explosion causing damage to property.
- ▲ **WARNINGS:**
  - ▲ This heater is for outdoor use only.
  - ▲ Do NOT operate, light or use this appliance within ten feet (3.05 m) of walls, structures or buildings.
  - ▲ For residential use only. This heater is NOT for commercial use.
  - ▲ This is for use with electricity.
  - ▲ Do NOT use this heater without reading the entire owner's manual.
  - ▲ This heater is safety certified for use in the United States only. Do not modify for use in any other location. Modification will result in a safety hazard.
  - ▲ Apartment Dwellers: Check with management to learn the requirements and fire codes for using an electric heater in your apartment complex. If allowed, use outside on the ground floor with a ten (10) foot (3.05 m) clearance from any structure. Do not use on or under balconies.
  - ▲ Do NOT use detachable power-supply cords or extension cords are available and may be used if care is exercised in their use.
  - ▲ **ELECTRIC SHOCK CAN KILL OR RESULT IN SERIOUS INJURY. TO PREVENT ELECTRICAL SHOCK:**
    - a. Use only with GFI (Ground Fault Interrupter) protected circuit.
    - b. Do not use heater when raining.
    - c. To prevent heater from being splashed or falling into water, do not use heater within 10 feet of pool, pond, or other body of water.
    - d. Keep heater and cord dry and out of rain at all times.
    - e. Do not operate heater that has a damaged cord, plug, or metal probe. Call our customer service.
    - f. Never remove grounding plug, or use with an adapter to two prongs.
    - g. Keep electric plugs off ground, and dry.
  - ▲ The use of alcohol, or prescription or non-prescription drugs may impair the consumer's ability to properly assemble or safely operate the appliance.
  - ▲ Do NOT store or use gasoline or other flammable liquids or vapors within 25 feet (7.62 m) of this appliance.
  - ▲ Do NOT use in an explosive atmosphere. Keep heater area clear and free from combustible materials, gasoline and other flammable vapors and liquids.
  - ▲ DO NOT use this heater near any unprotected combustible constructions.
  - ▲ Do NOT alter this heater in any manner.
- ▲ Do NOT use the heater unless it is COMPLETELY assembled and all parts are securely fastened and tightened.
- ▲ This heater should be thoroughly inspected on a regular basis.
- ▲ Use only Blue Rhino Global Sourcing, Inc. factory authorized parts. The use of any part that is not factory authorized can be dangerous. This will also void your warranty.
- ▲ Do NOT use this heater without reading "Operating Instructions" in this manual.
- ▲ Do NOT touch metal parts of heater until it has completely cooled to avoid burns, unless you are wearing protective gear (pot holders, gloves, BBQ mitts, etc.).
- ▲ This heater is NOT to be operated by children.
- ▲ Do NOT touch hot surfaces.
- ▲ Do NOT use in or on boats or recreational vehicles.
- ▲ Do NOT leave a lit heater unattended, especially keep children and pets away from heater at all times.
- ▲ Do NOT attempt to move heater when in use. Allow the heater to cool before moving or storing.
- ▲ Always use your heater on a hard, non-combustible level surface.
- ▲ High temperature, keep electrical cords, drapery, and other furnishings at least 3 feet (0.9 m) from the front of the heater and away from the side and rear.
- ▲ After a period of storage and/or nonuse, inspect for any abrasion, wear, cuts to the electrical cord.
- ▲ The use of accessory attachments not recommended by the appliance manufacturer may cause injuries.
- ▲ Store products indoors when not in use – out of the reach of children.
- ▲ Servicing should be done only while the heater is disconnected from the power supply.
- ▲ To ensure continued protection against electrical shock, connect only to properly grounded outlets. Use with GFI protected electric outlet only.
- ▲ Do NOT immerse in water. Disconnect electric cord from outlet before cleaning, servicing and/or removing heating element.
- ▲ Do NOT partially or fully cover or obstruct this heater.
- ▲ Please use protective gloves when assembling this product.
- ▲ Do NOT force parts together as this can result in personal injury or damage to the product.

- ▲ Use this heater only as described in this manual. Any other use not recommended by the manufacturer may cause fire, electrical shock, or injury to persons.
- ▲ Do NOT use this heater until it is COMPLETELY assembled and all parts are securely fastened and tightened.
- ▲ Do NOT use this heater near automobiles, trucks, vans or recreational vehicles.
- ▲ Do NOT use this heater under any overhang or near any unprotected combustible constructions. Avoid using near or under overhanging trees and shrubs.
- ▲ Always use this heater on a hard, level, non-combustible surface such as concrete, rock or stone. An asphalt or blacktop surface may not be acceptable for this purpose.
- ▲ Do NOT use this appliance if any part has been under water. Immediately call a qualified service technician to inspect the appliance and to replace any part or control system and any gas control which has been under water.
- ▲ Do NOT wear flammable or loose clothing when operating this heater.
- ▲ Do NOT use in windy conditions.
- ▲ NEVER lean over this heater when lighting or when in use.
- ▲ Do NOT use this heater unless all components are securely in place.
- ▲ Certain areas of this heater when in use will become too hot to touch. To avoid burns, do NOT touch hot surfaces until the unit has completely cooled, unless you are wearing protective gear (such as insulated pot holders or heat-resistant gloves/mittens).
- ▲ Children and adults should be alerted to the hazards of high surface temperatures and should stay away to avoid burns or clothing ignition.
- ▲ Young children should be carefully supervised when they are in the area of the appliance.
- ▲ Do NOT hang or place clothing or other flammable material on or near this appliance.
- ▲ Do NOT attempt to move heater when in use. Allow the heater to cool before moving or storing.
- ▲ This heater should be thoroughly cleaned and inspected on a regular basis. Clean and inspect the hose before each use of the appliance. If there is evidence of abrasion, wear, cuts, or leaks, the hose must be replaced prior to the appliance being operated.
- ▲ This heater should be inspected at least annually by a qualified service person. Depending on amount of use, more frequent cleaning may be required. Do NOT operate until all parts have been repaired or replaced.
- ▲ To reduce risk of shock, keep cord connection dry.
- ▲ Product must be fully assembled before operating the heater.
- ▲ Do NOT clean this product with a water spray or the like.
- ▲ Use protective gloves when assembling this product.
- ▲ Do NOT force parts together as this can result in personal injury or damage to the product.
- ▲ Deaths, serious injury or damage to property may occur if the above is not followed exactly.

**Parts List**

<b>1</b>	Finial*	56-01-569
<b>2</b>	Dome Pole*	----
<b>3</b>	Dome*	56-01-514
<b>4</b>	Dome Brace*	----
<b>5</b>	Insulator*	----
<b>6</b>	Upper Pole*	----
<b>7</b>	Heat Reflector*	----
<b>8</b>	Heating Element Clip (4)*	----
<b>9</b>	Heating Element*	56-01-500
<b>10</b>	Wire Guard*	----
<b>11</b>	Bottom Guard Plate*	----
<b>12</b>	Post*	----
<b>13</b>	Fuse Cap*	56-01-504
<b>14</b>	Fuse (250V, 15A)*	56-01-505
<b>15</b>	Lower Body Assembly*	----
<b>16</b>	Control Panel Housing*	----
<b>17</b>	Body Post*	----
<b>18</b>	Lower Body Assembly*	----
<b>19</b>	Power Cord*	----
<b>20</b>	Cord Clamp	56-01-583

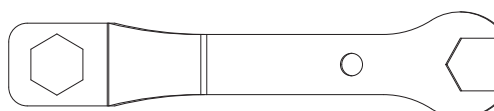
\* Pre-assembled

**Expanded View**

**Hardware**

<b>A</b>	Nut	M3 x 12 Zinc Plated Philips	2 pcs
----------	-----	-----------------------------	-------

**Tools Required for Assembly (Included)**

Wrench



## Assembly Instructions

# 1

### DO NOT RETURN TO PLACE OF PURCHASE.

For assistance, call 1.800.762.1142 toll-free. Please have your owner's manual and model number available for reference.

Note: The model number is printed on a label which can be found on the inside door, back or side of the base assembly.

#### Assembly Tips:

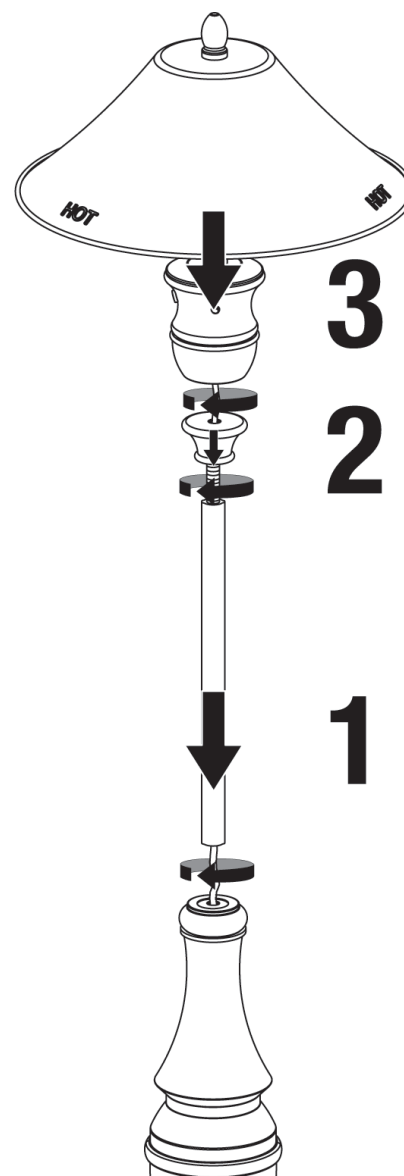
1. Select an area where you will assemble this product. To protect components, choose a smooth surface that's free of cracks or openings.
2. Spread out all parts.
3. Tighten all hardware connections by hand first. Then, before completing each step, go back and fully tighten all hardware. Be careful not to over-tighten. That could damage surfaces or strip threads.
4. For best results, complete each step in the order presented.

Note: Two (2) adults may be required for assembly.

Typical assembly is approximately one hour.

# 2

### Attach Body Post, Control Panel Housing and Head Assembly

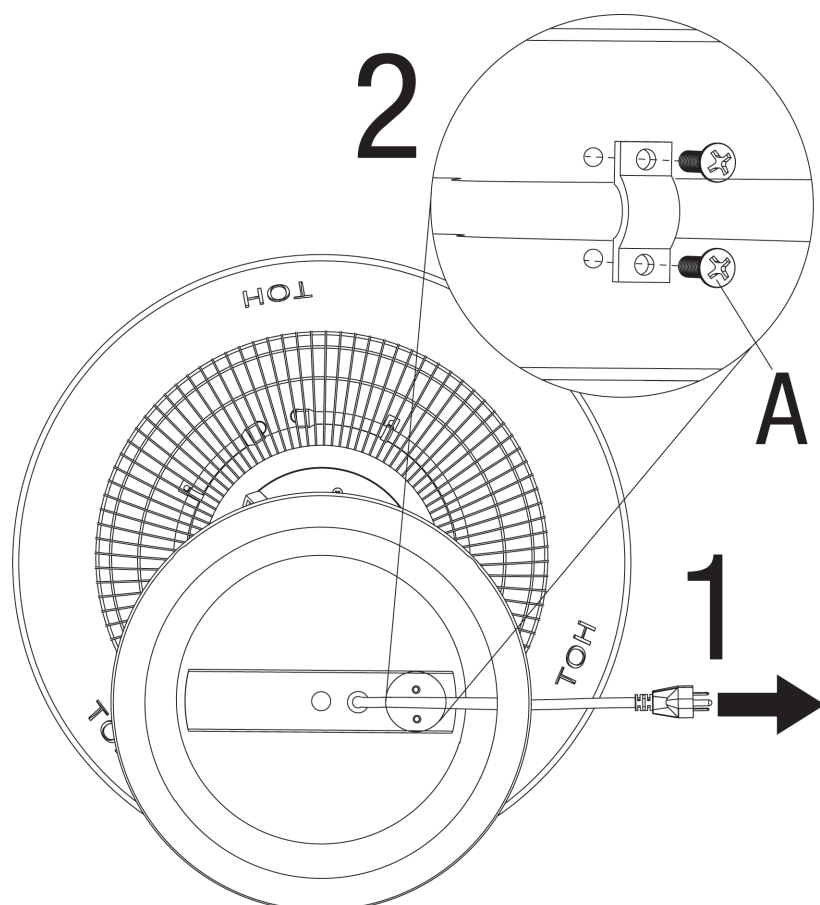


# 3

### Pull Power Cord Tight and Attach Cord Clamp

▲ CAUTION: Do NOT over-tighten.

▲ CAUTION: Do NOT allow heater to rest on the cord, or the cord to drag on the ground. This will damage the cord.



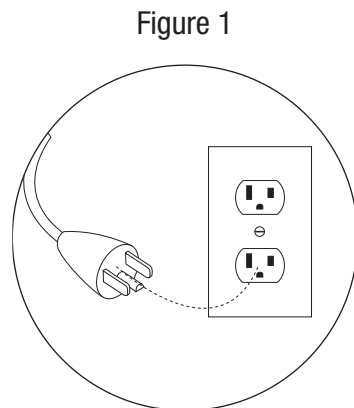
A  x 2

## Operating Instructions

- ▲ **WARNING:** Before using this heater, make sure you have read, understand and are following all information provided in the “Important Safeguards” section on page 2. Failure to follow those instructions can cause death, serious injury or property damage.
- ▲ **WARNING:** Always plug heaters directly into a wall outlet/receptacle. Never use with an extension cord or relocatable power tap (outlet/power strip).

### Grounding Instructions

1. This heater must be grounded while in use to protect the operator from electrical shock.
2. The heater is equipped with a 3-conductor cord and a dry GFI (Ground-Fault Interceptor) 3 prong outlet (Figure 1).



Connecting the power cord to a dry GFI 3 plug outlet.

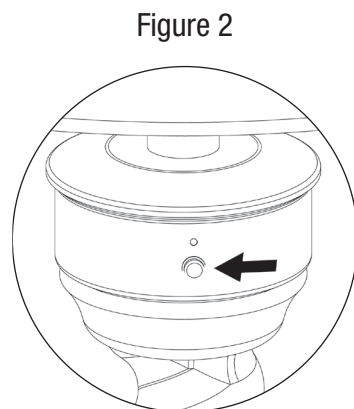
### Before Turning “ON”

1. Make sure all labels, packaging and protective films have been removed from the heater.
2. Heater should be thoroughly inspected before each use, and by a qualified service person at least annually.

### Turning “ON”

1. Plug the other end into a dry GFI (Ground-Fault Interceptor) 3 prong outlet, per “Grounding Instructions” section.
2. Push the power button (Figure 2).  
*Note:* The red LED light will glow while the heater is on.

*Note:* When restarting the heating element will start up slowly before getting to full power.



Power button

### While Heater is “ON”

- ▲ **CAUTION:** If heater tips over, the heater will automatically turn “OFF.”
- If heater tips over:
1. IMMEDIATELY unplug power cord from the wall outlet.
  2. Carefully turn the heater upright.
- ▲ **CAUTION:** Dome, pole and shroud cover may be hot. Use heat resistant gloves to set heater upright.
3. Inspect heater to ensure no damage.
    - a. If no damage, continue to next step.
    - b. If there is damage, call a qualified technician to inspect and make any necessary repairs.
  - ▲ **CAUTION:** Do NOT use the heater if there is any sign of damage. A qualified technician should inspect and make any necessary repairs before the heater is used again.
  4. Start heater per “Turning ‘ON’” instructions.

### Turning “OFF”

1. Push the power button (Figure 2).
2. Unplug the power cord from the wall outlet.

## Cleaning and Care

- ▲ **CAUTION:**
  1. All cleaning and maintenance should be done when heater is cool and with the fuel supply disconnected.
  2. Do NOT clean any heater part in a self-cleaning oven. The extreme heat will damage the finish.
  3. Do NOT enlarge valve orifices or burner ports when cleaning the valves or burners.

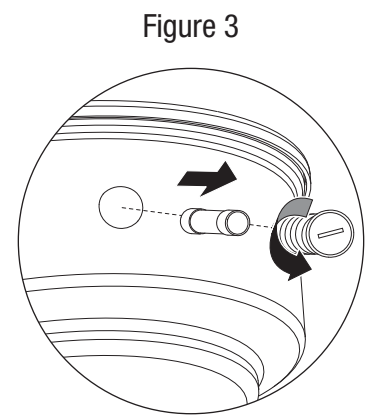
### Notices

1. Abrasive cleaners will damage this product.
2. Never use oven cleaner to clean any part of heater.
3. Inspect heater before each use.
4. Have heater inspected annually. Repairs should be made by a qualified service person.
5. Do NOT clean heater with combustible or corrosive cleaners. Use warm, soapy water.
6. Do NOT paint engine, engine panels or dome.
7. This heater should be thoroughly cleaned on a regular basis.
8. After a period of storage and/or non use, inspect for any abrasion, wear or cuts to the power cord.

## Cleaning and Care (continued)

### Before Each Use:

1. Keep the heater area clear and free from any combustible materials, gasoline, and other flammable vapors and liquids.
- ▲ **WARNING:** Do NOT obstruct the flow of the combustion of LP gas and the ventilation of air.
2. Keep the ventilation opening(s) of the LP gas tank area free and clear from debris.
3. Visually check the heating element to make sure your heater is working properly.
4. See below for proper cleaning instructions.
5. Check components for any signs of damage or rust.
6. Check for obstructions of airflow to the burner.
7. If damage to any component is detected, do NOT operate until repairs are completed.



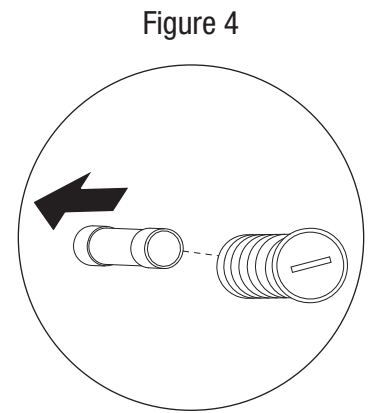
Remove fuse cover

### Cleaning Surfaces

1. Wipe surfaces clean with a solution of water and mild dishwashing detergent or baking soda.
2. Wipe clean with damp cloth.

**IMPORTANT:** While cleaning your unit, be sure to keep the area around the heating element dry at all times.

- ▲ **WARNING:** Do NOT submerge the heating element. If the heating element is submerged in water, do NOT use it. It must be replaced.



Remove old fuse

### Maintenance

To enjoy years of outstanding performance from your heater, make sure you perform the following maintenance activities on a regular basis:

1. Keep exterior surfaces clean.
2. Air flow must be unobstructed. Keep circulating air passages around the heating element clean.

### Replacing the Fuse

1. Push the power button (Figure 2).
2. Unplug the power cord from the wall outlet.
3. Using a screwdriver, remove the fuse cover (Figure 3).
4. Carefully remove the old fuse, and replace with the new fuse (Figure 4).  
*Note:* ONLY replace the old fuse with a 250V 15A fuse.
5. Reattach the fuse cover.
- ▲ **CAUTION:** Do NOT over-tighten
6. Follow the “Turning ‘ON’” instructions or the “Storage” instructions.

## Storage

### Between Uses and During Periods of Extended Inactivity or When Transporting:

1. Push the power button (Figure 2).
2. Unplug the power cord from the wall outlet.
3. Store heater upright in an area sheltered from direct contact with inclement weather (such as rain, sleet, hail, snow, dust and debris).
4. If desired, cover heater to protect exterior surfaces and to help prevent build up in air passages.
- ▲ **CAUTION:** Wait until heater is cool before covering.
5. If storing the heater indoors, cover the heater and store in a cool dry location away from children and pets.
6. If storing the heater outdoors, cover the heater with a cover for protection from the weather.

## Product Registration

For faster warranty service, please register your product immediately. To register, go to [BlueRhino.com/warranty](http://BlueRhino.com/warranty) or call 1.800.762.1142.

## Replacement Parts

For replacement parts, call 1.800.762.1142.

## Limited Warranty

Blue Rhino Global Sourcing, Inc. ("Blue Rhino") warrants to the original retail purchaser of this product, and to no other person, that if this product is assembled, maintained, and operated in accordance with the printed instructions accompanying it, then for a period of one (1) year from the date of purchase, all parts in such product shall be free from defects in material and workmanship. Blue Rhino may require reasonable proof of your date of purchase. Therefore, you should retain your sales slip or invoice. This Limited Warranty shall be limited to the repair or replacement of parts, which prove defective under normal use and service and which Blue Rhino shall determine in its reasonable discretion upon examination to be defective. Before returning any parts, you should contact Blue Rhino's Customer Care Department using the contact information listed below. If Blue Rhino confirms, after examination, a defect covered by this Limited Warranty in any returned part, and if Blue Rhino approves the claim, Blue Rhino will replace such defective part without charge. If you return defective parts, transportation charges must be prepaid by you. Blue Rhino will return replacement parts to the original retail purchaser, freight or postage prepaid.

This Limited Warranty does not cover any failures or operating difficulties due to accident, abuse, misuse, alteration, misapplication, improper installation or improper maintenance or service by you or any third party, or failure to perform normal and routine maintenance on the product as set out in this owner's manual. In addition, the Limited Warranty does not cover damage to the finish, such as scratches, dents, discoloration, rust or other weather damage, after purchase.

This Limited Warranty is in lieu of all other express warranties. Blue Rhino disclaims all warranties for products that are purchased from sellers other than authorized retailers or distributors, including the warranty of merchantability or the warranty of fitness for a particular purpose. Blue Rhino ALSO DISCLAIMS ANY AND ALL IMPLIED WARRANTIES, INCLUDING WITHOUT LIMITATION THE IMPLIED WARRANTIES OF MERCHANTABILITY AND FITNESS FOR A PARTICULAR PURPOSE. Blue Rhino SHALL HAVE NO LIABILITY TO PURCHASER OR ANY THIRD PARTY FOR ANY SPECIAL, INDIRECT, PUNITIVE, INCIDENTAL, OR CONSEQUENTIAL DAMAGES. Blue Rhino further disclaims any implied or express warranty of, and assumes no responsibility for, defects in workmanship caused by third parties.

This Limited Warranty gives the purchaser specific legal rights; a purchaser may have other rights depending upon where he or she lives. Some jurisdictions do not allow the exclusion or limitation of special, incidental or consequential damages, or limitations on how long a warranty lasts, so the above exclusion and limitations may not apply to everyone.

Blue Rhino does not authorize any person or company to assume for it any other obligation or liability in connection with the sale, installation, use, removal, return, or replacement of its equipment, and no such representations are binding on Blue Rhino.

Blue Rhino Global Sourcing, Inc.  
 Winston-Salem, North Carolina 27105 USA  
 1.800.762.1142

## Specifications

### Certifications:

CSA International Requirement C22.2 No. 46-13 & UL 1278 (4th Edition)  
 UL 1278

### Fuel:

Electric

### Power:

Maximum 1,200 Watts

### Voltage:

120V AC

### Frequency:

60 Hz

### Net Weight:

19.8 lbs (9 kg)

### Unit Dimensions:

19.7 in. x 19.7 in x 62.6 in. (50 cm x 50 cm x 159 cm)

### Manufacturer:

Blue Rhino Global Sourcing, Inc.

### Made In:

China

## Troubleshooting

<b>Problem</b>	<b>Possible Cause</b>	<b>Prevention/Cure</b>
<b>Unit will not operate</b>	Not plugged in	Plug cord into grounded outlet
	GFI Outlet is tripped	Verify the outlet is working
	Fuse is blown	Replace fuse
	Loose wiring	Call Customer Care at 800.762.1142
	Heating Element is worn out	Replacement part(s) may be needed - contact Customer Care at 800.762.1142

For assistance, please visit [BlueRhino.com](http://BlueRhino.com) or call 1.800.762.1142.

